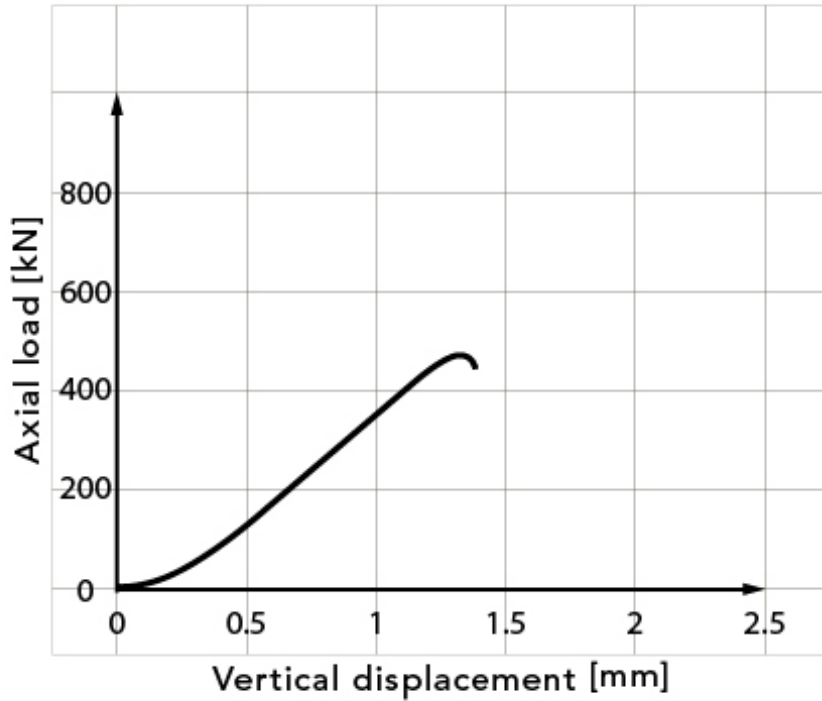
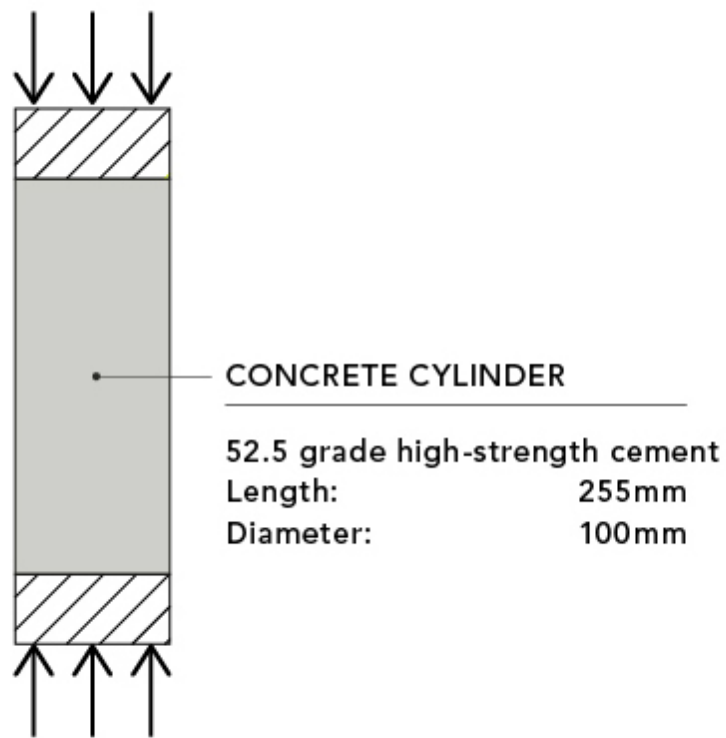




COMPRESSIVE BEHAVIOUR OF A HIGH-STRENGTH CONCRETE CYLINDER



LOAD-DEFLECTION GRAPH



LOADING CONFIGURATION