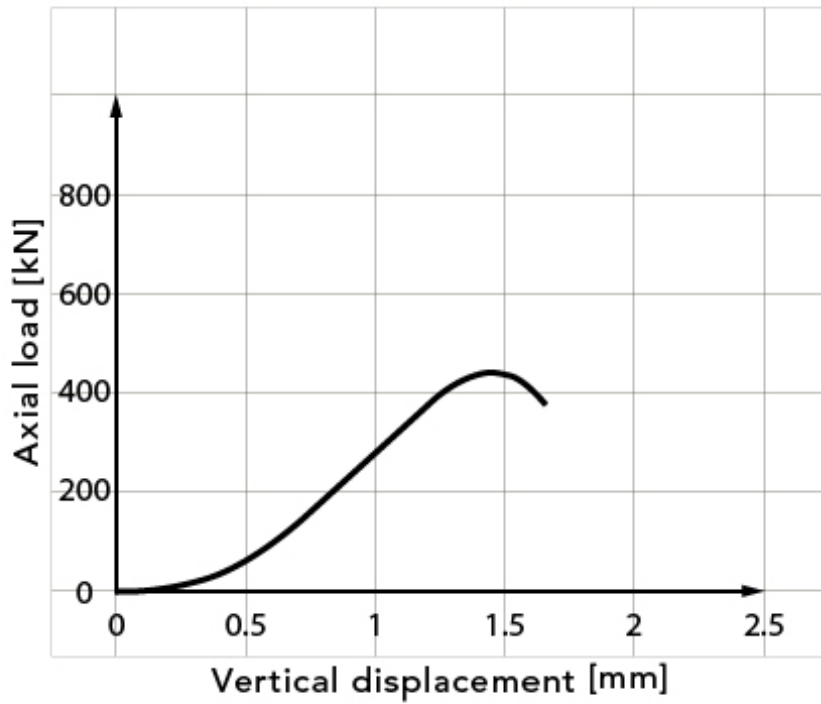
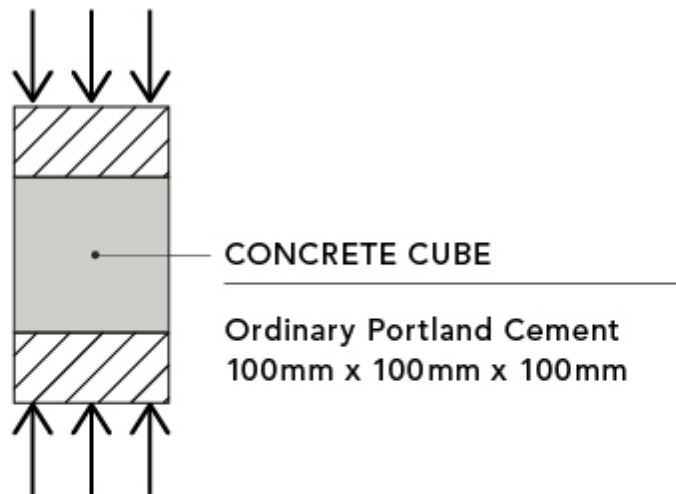




COMPRESSIVE BEHAVIOUR OF A CONCRETE CUBE



LOAD-DEFLECTION GRAPH



LOADING CONFIGURATION