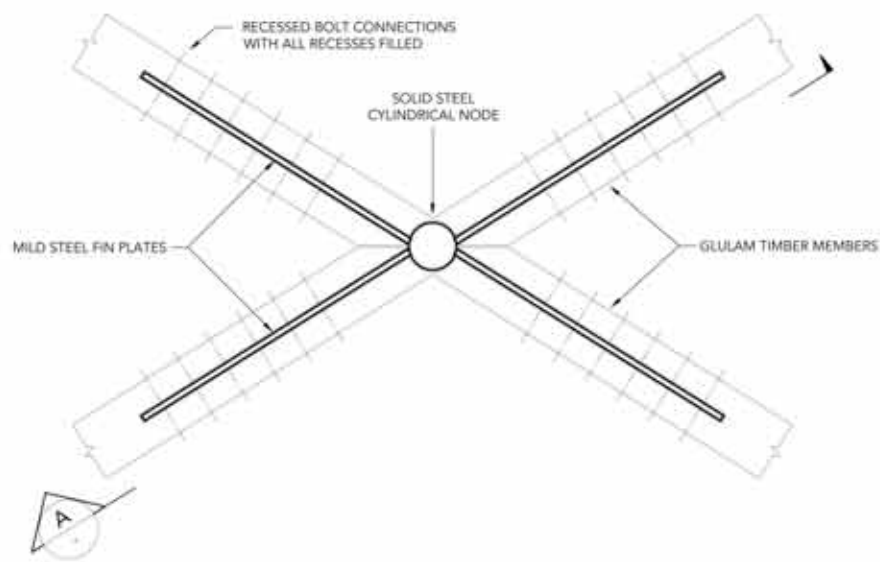
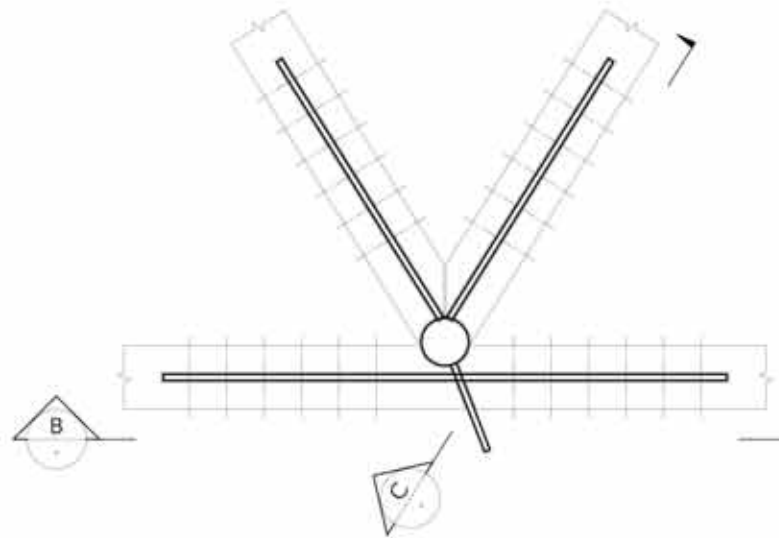


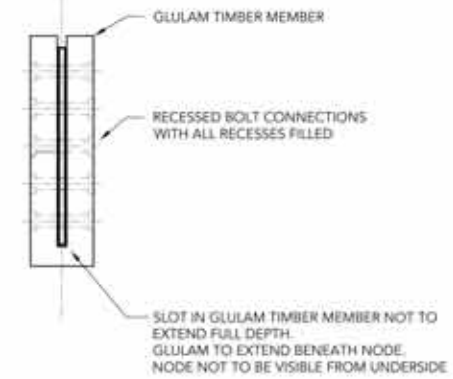
- Drawing notes
1. THIS DRAWING MUST BE READ IN CONJUNCTION WITH ALL THE RELEVANT DRAWINGS AND SPECIFICATIONS.
 2. ALL LEVELS ARE RELATIVE TO ORDNANCE DATUM (OD).
 3. ALL DIMENSIONS ARE IN MM U.N.O.
 4. ANY ERRORS OR OMISSIONS ON THE DRAWING TO BE BROUGHT TO THE ATTENTION OF THE ENGINEER.
 5. CONNECTION DETAILS SHOWN ARE INDICATIVE. THE FINAL DESIGN IS TO THE CONTRACTORS DETAILS.
 6. FOR NODE FORCES REFER TO DRAWING 064



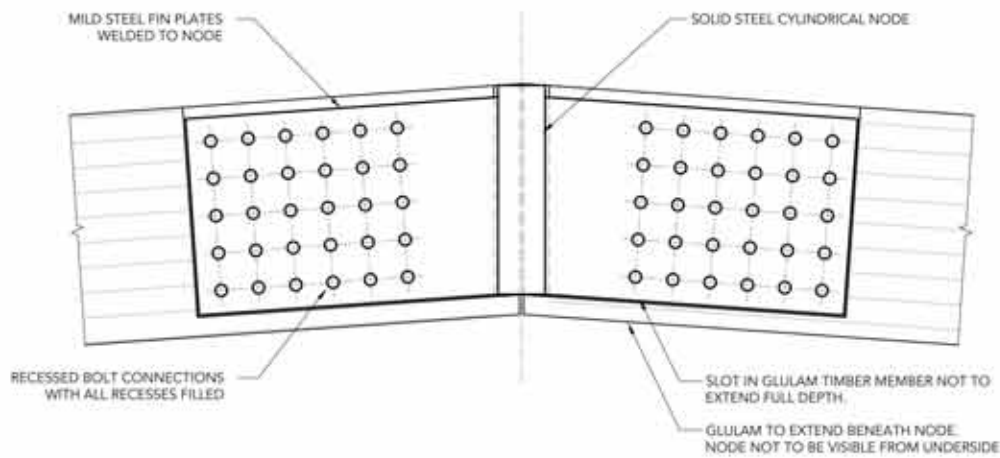
PLAN - NODE TYPE 1



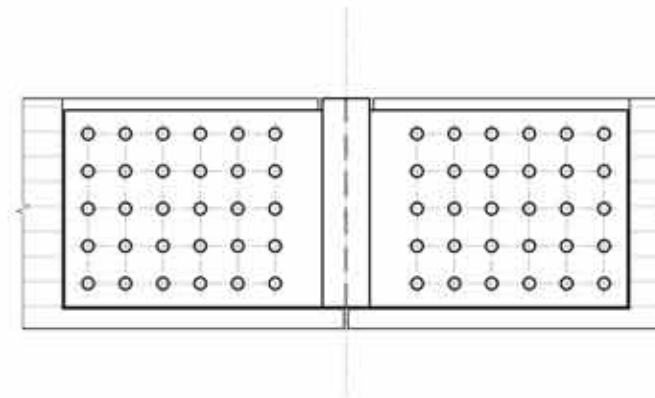
PLAN - NODE TYPE 2



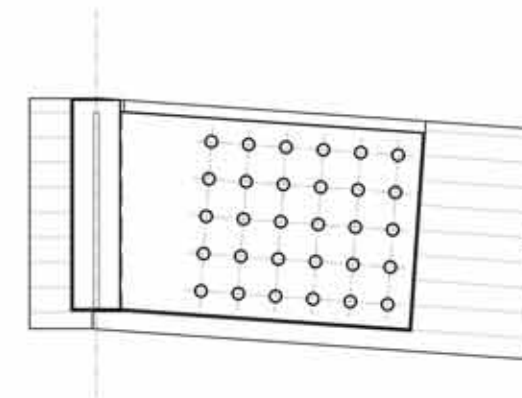
TYPICAL NODE/GLULAM SECTION



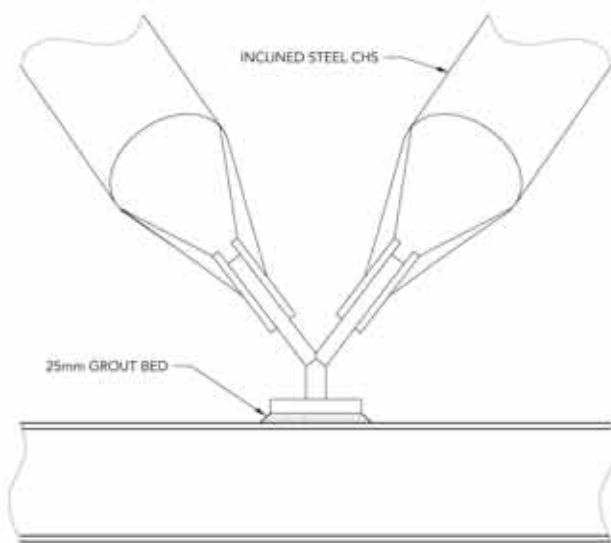
ELEVATION A - NODE TYPE 1



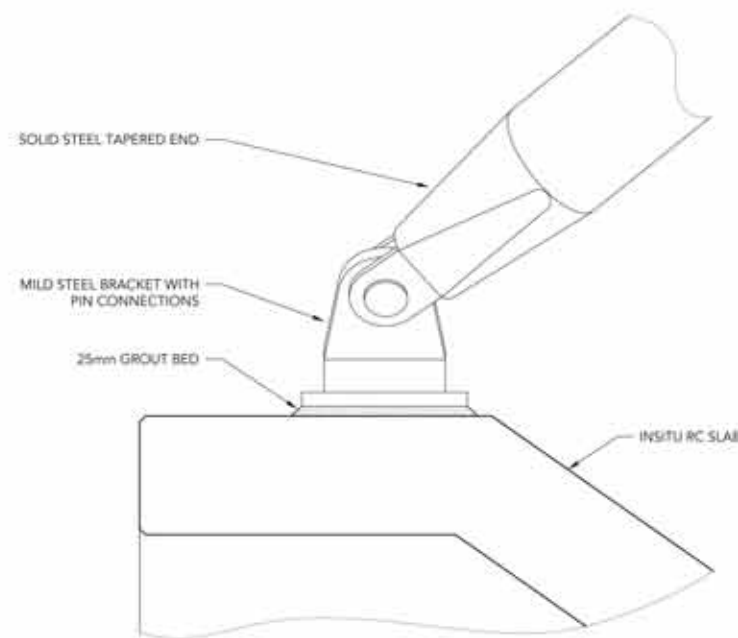
ELEVATION B - NODE TYPE 2



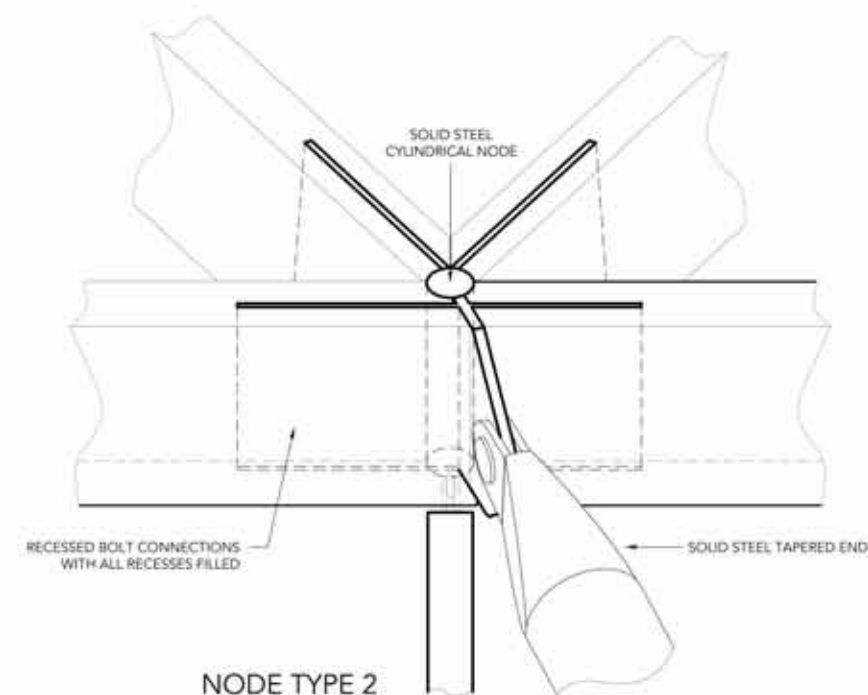
ELEVATION C - NODE TYPE 2



COLUMN BASE PLATE END ELEVATION



COLUMN BASE PLATE SIDE ELEVATION



NODE TYPE 2 ELEVATION

Client

WWF - UK

Expedition Limited
Murray House, First Floor
202 Regent Street
London W1B 3BB

T: +44 (0) 20 7307 1300
F: +44 (0) 20 7307 1311
E: info@expedition-uk.com
W: www.expedition-uk.com



Project WWF UK
LIVING PLANET CENTRE
Title ROOF NODE DETAILS

Scale 1:100A1 Date 24/08/11

Drawn BA Check'd JG

Job No. 250 Rev 1

Drwg No. 065